



PELLETIZING SYSTEMS >

> STRAND PELLETIZING

PRIMO 100/200 E

Strand pelletizing systems
for utmost flexibility during production

 **AUTOMATIK**

The dry cut strand pelletizers of the PRIMO E series are characterized by maximum flexibility. Variable system configurations allow for optimal matching with your specific production requirements and also provide utmost flexibility in terms of product changeover. The cylindrical pellets convince with their consistently high quality and are ideally suitable for further processing.

Your benefits

- Shortest possible unguided section from feeding unit to cutting unit to meet highest pellet quality standards, with single-sided bearing of the cutting rotor
- Quick exchange of tools and rollers
- System configuration suitable for soft, brittle, and abrasive polymers
- Changes on the pellet length and weight to be made with Dual Drive
- Quick and easy access for cleaning and servicing; quick product changeover
- Upper feed roll driven available

PRIMO 100/200 E

Functionality and system components

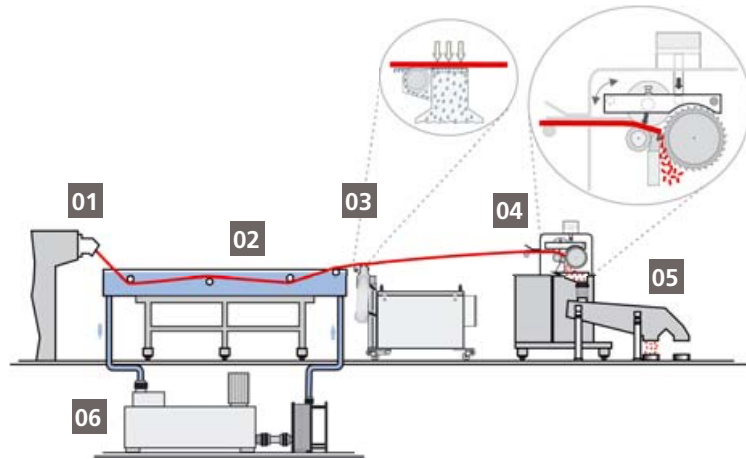
Functioning of the WSG systems

Polymer strands extruded from a die head **01** pass through the cooling trough **02**.

The air knife **03** ensures effective strand drying prior to cutting. The residual moisture after strand drying evaporates in the evaporation section.

The feed tools of the strand pelletizer **04** catch the polymer strands and direct them to the cutting tools where the strands are cut into pellets.

The pellets are classified, cooled, and conveyed in subsequent operations **05**. The cooling water is filtered and temperature controlled in a process water unit **06** and then returned to the cooling trough.



WSG system components



Cooling trough KW 160



Cooling trough KW 160 with integrated process water system



Die head SG200C



SE 100-2 air knife

PRIMO 100/200 E

Strand pelletizer

Strand pelletizer

- Single-sided bearing of the cutting rotor allows quick access for cleaning and servicing
- Strand draw-in speeds of up to 150 m/min possible
- Shifting of operating range possible through selection of individual components
- Sound protection hood
- Upper feed roll and cutting head cooling for high-temperature applications
- Optimized start-up for soft products with Soft Polymer Kit
- Infinitely variable pellet length adjustment through Dual Drive possible
- Driven upper feed roll with rubber coating, grooved or knurled steel roller



PRIMO 100 E



PRIMO 200 E

Cutting tools

Our specialists support you in selecting the cutting tools best fitting to your product and process. We have more than 150 different rotor variants with the appropriate bed knives and feed roll materials, optimally adapted to your product.

- Selection of cutting tools subject to application, e.g. cutting rotor for soft polymers with shore hardness < 60 shore or for brittle plastics
- Wide range of steel grades, e.g. tool steel, tungsten carbide, PM steel
- Patented wear protection for longer lifetime of cutting components (patent number EP 2 190 638 B1)



PRIMO 200 E with elastomer feed roll



PRIMO 200 E cutting head

PRIMO 100/200 E

Technical data

Technical data:	PRIMO 100 E	PRIMO 200 E
Operating width:	100 mm	120 mm
Drive system:	AC-Motor with belt drive	
Motor power of pelletizerranulators:	5,5 kW	7,5 kW
Line speed at pellet length of 3 mm:	30-120 m/min	
No. of strands at a pellet diameter of 3 mm:	20	40

Throughput rates [kg/h]*:		PRIMO 100 E	PRIMO 200 E
Product:	Density [g/cm ³]		
PP, PE:	0,91	750	1.500
GPPS, SAN:	1,04	750	1.500
ABS, HIPS:	1,04	750	1.500
PMMA:	1,18	750	1.500
PET, PBT:	1,31	600	1.200
PA 6, PA 6.6:	1,14	600	900 (30)
PET, PBT, PA, PP, PC + 15 bis 50 % glas fiber:	1,00	800	1.000 (25)
	1,55	960	1.000 (25)
Thermoplastic elastomers:	1,10	750	1.500
Masterbatch with > ab 40 % fillers:	1,30	750	1.500

* at 3 mm pellet length and maximum number of stands (divergent number of strands in brackets)

